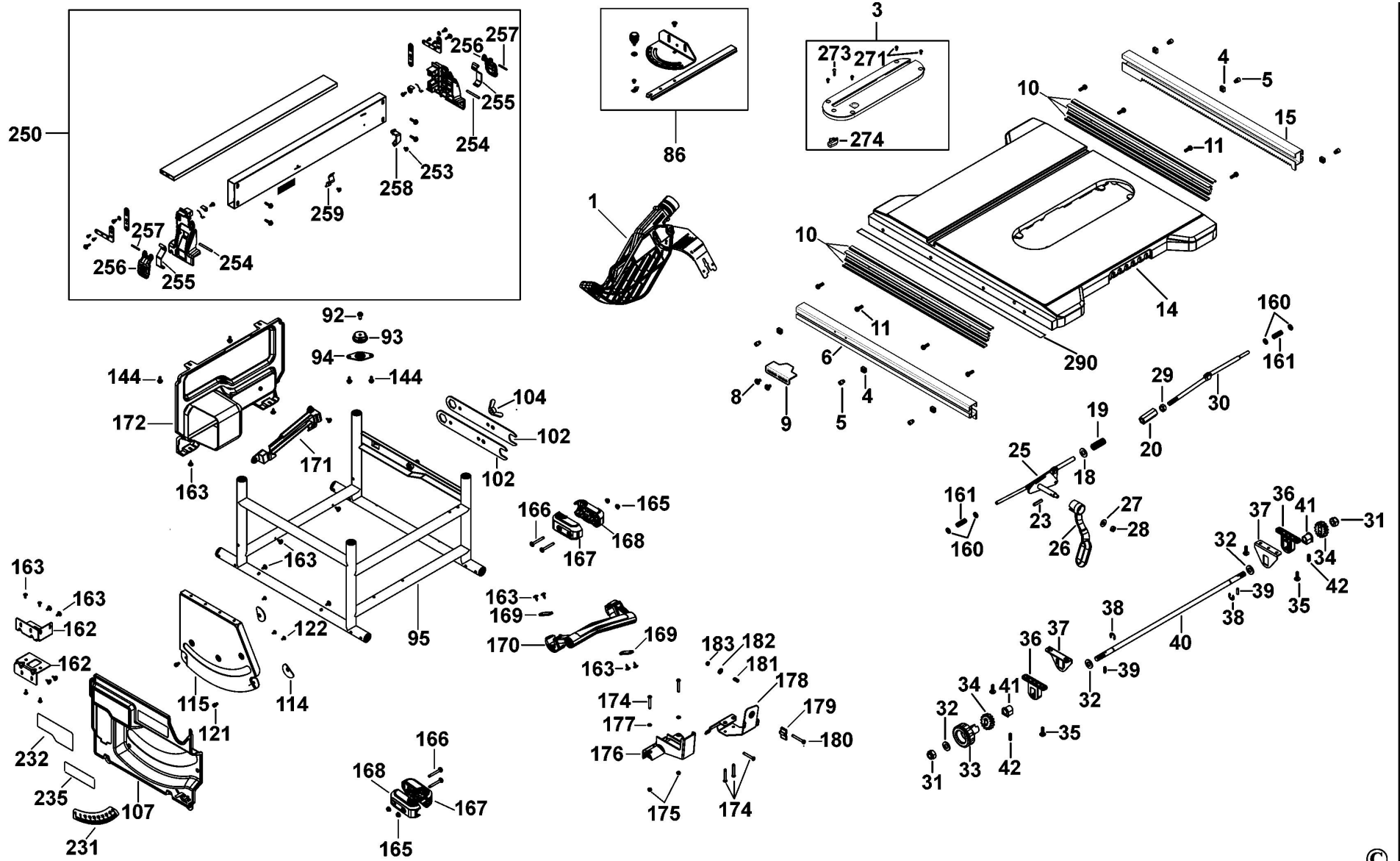
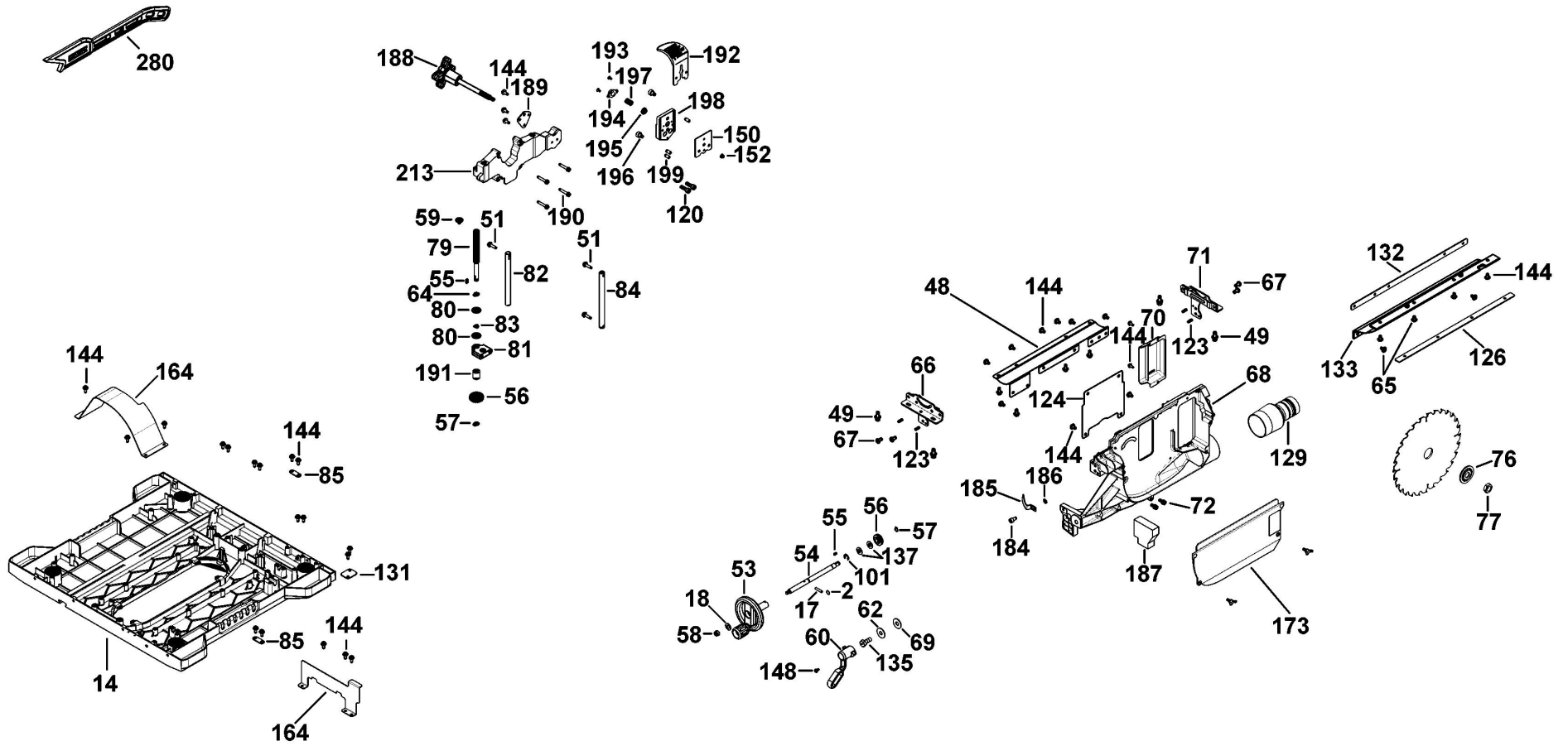
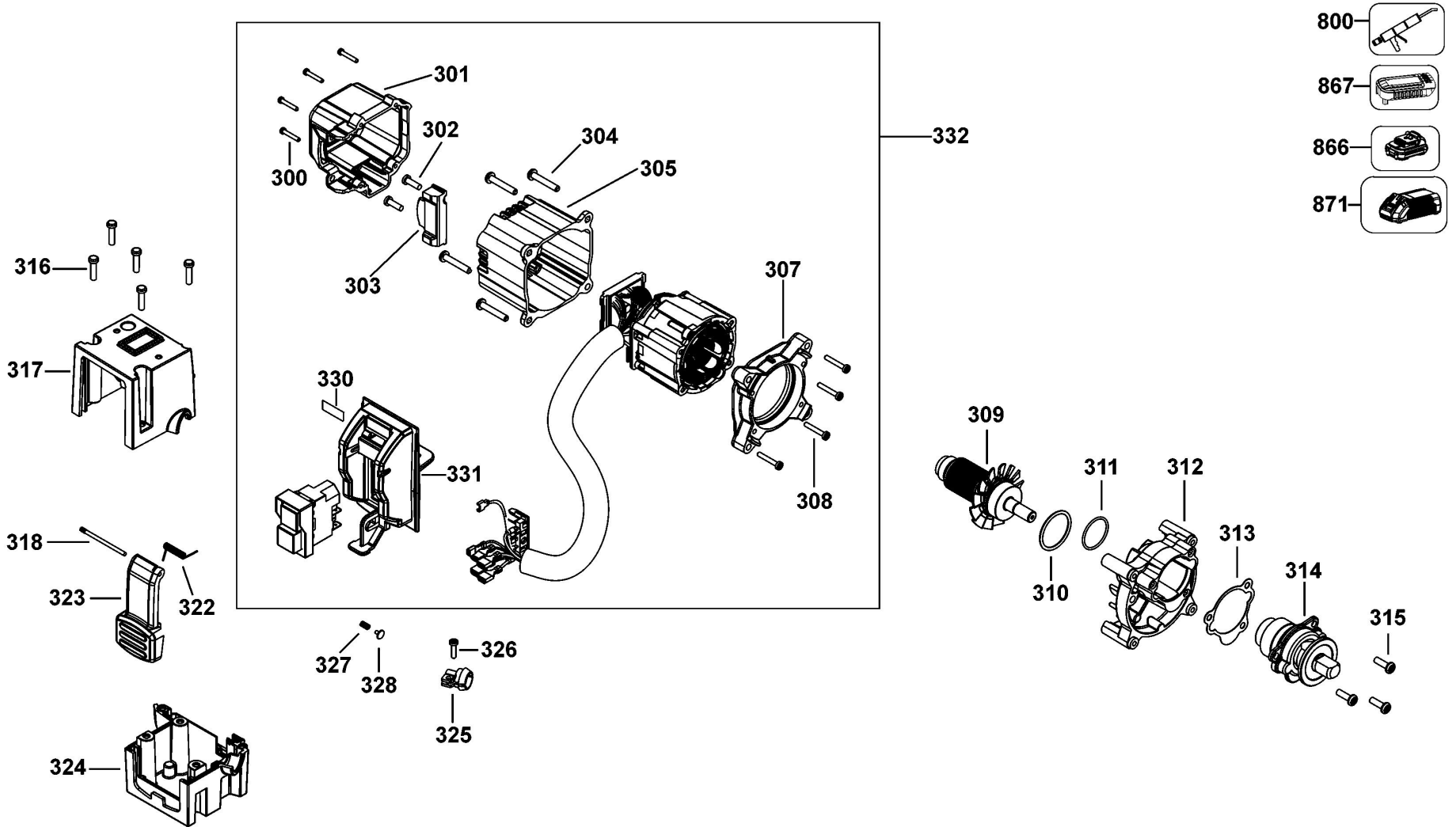


DCS7485N TABLE SAW 3



DCS7485N TABLE SAW 3





Parts List DCS7485N TABLE SAW 3

Item	Part Number	Qty	Part Description	General Description	Other Info	Repair Inst	Markets
1	N475526	1	GUARD SA			No	XJ
2	1004549-04	1	O RING			No	XJ
3	N459141	1	PLATE SA			No	XJ
4	5140032-03	6	NUT M6			No	XJ
5	5140032-02	6	SCREW			No	XJ
6	N433458	1	RAIL			No	XJ
8	1004549-00	2	SCREW.SPECIAL			No	XJ
9	1004708-08	1	INDICATOR			No	XJ
10	5140179-60	2	RAIL SA			No	XJ
11	1002765-00	8	SCREW.SPECIAL			No	XJ
14	N433468	1	TABLE			No	XJ
15	N433459	1	RAIL			No	XJ
17	5140179-65	1	ROLL PIN			No	XJ
18	5140032-15	1	WASHER M8			No	XJ
19	5140134-75	1	SPRING			No	XJ
20	5140032-17	1	ADJUSTER			No	XJ
23	5140032-21	1	PIN			No	XJ
25	5140179-62	1	SHAFT SA			No	XJ
26	N440620	1	LOCK HANDLE			No	XJ
27	5140032-24	1	WASHER M6			No	XJ
28	5140032-25	1	NUT M6			No	XJ
29	429901-00	1	LOCK NUT			No	XJ
30	1004708-11	1	SHAFT SA			No	XJ
31	429901-00	2	LOCK NUT			No	XJ
32	5140032-27	3	WASHER M10			No	XJ
33	5140032-28	1	FENCE KNOB			No	XJ
34	5140032-29	2	PINION GEAR			No	XJ
35	1002767-00	4	SCREW.SPECIAL			No	XJ
36	5140032-31	2	BRACKET			No	XJ
37	5140118-01	2	GUARD			No	XJ
38	5140032-33	2	LOCKING RING			No	XJ
39	5140032-34	2	PIN			No	XJ

Parts List DCS7485N TABLE SAW 3

Item	Part Number	Qty	Part Description	General Description	Other Info	Repair Inst	Markets
40	N697158	1	SHAFT			No	XJ
41	5140032-36	2	BEARING BLOCK			No	XJ
42	5140032-37	2	SPRING			No	XJ
48	5140179-71	1	GUARD LH	LEFT FABRIC GUARD		No	XJ
49	1002769-00	4	SCREW.SPECIAL			No	XJ
51	5140135-60	3	SCREW.SPECIAL			No	XJ
53	1004549-07	1	WHEEL SA			No	XJ
54	N434678	1	SHAFT			No	XJ
55	5140032-50	1	KEY			No	XJ
56	5140118-05	1	BEVEL GEAR			No	XJ
57	5140032-52	1	RING			No	XJ
58	429898-00	1	NUT			No	XJ
59	1002773-00	1	SCREW.SPECIAL			No	XJ
60	N436291	1	HANDLE			No	XJ
62	5140032-57	1	WASHER LOCK			No	XJ
64	1002774-00	1	RING			No	XJ
65	1002775-00	21	SCREW.SPECIAL			No	XJ
66	5140135-25	1	BRACKET SA			No	XJ
67	1002776-00	4	SCREW.SPECIAL			No	XJ
68	N434812	1	GUARD LOWER			No	XJ
69	1002778-00	1	WASHER PLASTIC			No	XJ
70	N434696	1	GUARD			No	XJ
71	5140135-30	1	BRACKET SA			No	XJ
72	1002779-00	2	SCREW.SPECIAL			No	XJ
76	5170068-06	1	CLAMP			No	XJ
77	429989-94	1	NUT			No	XJ
79	N434670	1	SHAFT			No	XJ
80	5140032-72	2	WASHER THRUST			No	XJ
81	5140032-73	1	BLOCK			No	XJ
82	N434666	1	SHAFT			No	XJ
83	5140032-75	1	WASHER BOW			No	XJ
84	N434667	1	SHAFT			No	XJ

Parts List DCS7485N TABLE SAW 3

Item	Part Number	Qty	Part Description	General Description	Other Info	Repair Inst	Markets
85	5140032-77	2	PLATE			No	XJ
86	N435108	1	MITRE FENCE			No	XJ
86	5170068-07	1	FENCE			No	XJ
92	5140135-74	4	SCREW.SPECIAL			No	XJ
93	5140032-84	4	BUMPER			No	XJ
94	5140032-85	4	PLATE			No	XJ
101	N464191	1	GUARD			No	XJ
102	N436199	2	SPANNER	22MM OPEN END, 23MM		No	XJ
104	5140032-95	1	WING NUT			No	XJ
107	N435982	1	PANEL FRONT			No	XJ
114	N441179	2	CAM			No	XJ
115	N442868	1	SUPPORT PLATE			No	XJ
120	5140135-17	2	SCREW			No	XJ
121	5140135-91	2	SCREW			No	XJ
122	5140135-89	3	SCREW			No	XJ
123	5140033-40	2	DOWEL			No	XJ
124	5140179-72	1	PLATE			No	XJ
126	5140179-69	1	BAR			No	XJ
129	1004695-90	1	DUST PORT			No	XJ
131	5140179-73	1	PLATE			No	XJ
132	5140179-70	1	BAR			No	XJ
133	5140179-68	1	GUARD RH	RIGHT FABRIC GUARD		No	XJ
135	5170068-08	1	LOCK SCREW			No	XJ
137	5140033-42	2	WASHER			No	XJ
144	N435910	28	SCREW			No	XJ
148	5140179-66	1	SCREW.SPECIAL			No	XJ
150	N436310	1	PLATE			No	XJ
152	N464932	1	LOCK NUT			No	XJ
160	5140135-36	4	WASHER			No	XJ
161	5140135-37	2	SPRING			No	XJ
162	N452849	2	BRACKET			No	XJ
163	5140032-80	19	SCREW			No	XJ

Parts List DCS7485N TABLE SAW 3

Item	Part Number	Qty	Part Description	General Description	Other Info	Repair Inst	Markets
164	N437343	1	GUARD			No	XJ
165	5140095-74	8	NUT M5			No	XJ
166	5140135-64	8	SCREW.SPECIAL			No	XJ
167	N444103	4	FOOT			No	XJ
168	N444104	4	FOOT			No	XJ
169	N441177	2	PLATE			No	XJ
170	N446306	1	HANDLE			No	XJ
171	5140179-76	1	BRACKET			No	XJ
172	N437337	1	PANEL			No	XJ
173	N434671	1	COVER			No	XJ
174	5140135-79	5	SCREW			No	XJ
175	5140032-13	2	NUT M5			No	XJ
176	N438026	1	BRACKET			No	XJ
177	1004708-12	2	WASHER			No	XJ
178	N450979	1	BRACKET			No	XJ
179	N450980	1	KNOB			No	XJ
180	N451161	1	BOLT			No	XJ
181	5140135-73	1	SPRING			No	XJ
182	N435470	1	WASHER			No	XJ
183	5140032-13	2	NUT M5			No	XJ
184	N447488	1	SCREW			No	XJ
185	N440766	1	INDICATOR			No	XJ
186	N454261	1	WASHER LOCK			No	XJ
187	5140179-78	1	DAMPER			No	XJ
188	N461705	1	KNOB SA			No	XJ
189	5170068-09	1	PLATE			No	XJ
190	5140179-63	1	SCREW			No	XJ
191	5140179-64	1	SPACER			No	XJ
192	N437875	1	RIVING KNIFE			No	XJ
193	N448945	2	SCREW			No	XJ
194	1004708-13	1	COVER			No	XJ
195	1004708-14	1	PISTON			No	XJ

Parts List DCS7485N TABLE SAW 3

Item	Part Number	Qty	Part Description	General Description	Other Info	Repair Inst	Markets
196	N448939	2	SCREW			No	XJ
197	N448940	1	SPRING			No	XJ
198	N434803	1	MOUNT			No	XJ
199	5140135-11	3	SCREW.SPECIAL			No	XJ
213	N441334	1	SUPPORT			No	XJ
231	N441023	1	LABEL			No	XJ
232	5170068-10	1	LABEL			No	XJ
235	5170068-11	1	RATING LABEL			No	XJ
250	N455463	1	FENCE SA			No	XJ
253	5140134-61	2	SCREW			No	XJ
254	5140134-58	2	PIN			No	XJ
255	5140134-57	2	SPRING			No	XJ
256	5140134-56	2	PADDLE			No	XJ
257	1004696-26	2	PIN			No	XJ
258	5140134-62	1	STRAP			No	XJ
259	5140134-60	1	CLIP			No	XJ
271	5140033-53	4	SCREW			No	XJ
273	5140033-54	1	SCREW			No	XJ
274	5140033-55	1	CAM			No	XJ
280	5140033-44	1	PUSHROD			No	XJ
290	N458905	1	SCALE			No	XJ
300	330019-24	4	SCREW			No	XJ
301	N436880	1	END CAP			No	XJ
302	330019-12	2	SCREW			No	XJ
303	N448564	1	CORDCLAMP			No	XJ
304	330045-17	4	SCREW	M5X30 METAL THD FORM		No	XJ
305	N436481	1	FIELD CASE			No	XJ
307	N440777	1	BAFFLE			No	XJ
308	330019-12	4	SCREW			No	XJ
309	N469850	1	ROTOR SA			No	XJ
310	N453643	1	O RING			No	XJ
311	700248-00	1	SEAL			No	XJ

Parts List DCS7485N TABLE SAW 3

Item	Part Number	Qty	Part Description	General Description	Other Info	Repair Inst	Markets
312	N434675	1	GEARCASE			No	XJ
313	N442722	1	GASKET			No	XJ
314	N469847	1	ARBOR SA			No	XJ
315	330045-14	3	SCREW			No	XJ
316	330019-13	5	SCREW	M4X19 T20		No	XJ
317	N435741	1	HOUSING UPPER			No	XJ
318	N440456	1	PIN			No	XJ
322	N448766	1	SPRING			No	XJ
323	N445218	1	PADDLE			No	XJ
324	N435742	1	HOUSING LOWER			No	XJ
325	N449833	1	CORD CLAMP			No	XJ
326	330019-03	1	SCREW			No	XJ
327	N461735	1	SPRING			No	XJ
328	N122099	1	BLOCK			No	XJ
330	N471558	1	LABEL			No	XJ
331	N445217	1	HOUSING SWITCH			No	XJ
332	N474607	1	STATOR SA			No	XJ
800	583534-00	1	GREASE	50 GRAMS - NYE RHEOL		No	XJ
866	N473851	1	BATTERY 3 X18V-6.0AH-108WH			No	XJ
867	N462141	1	SAFETY CAP			No	XJ
871	N473855	1	CHARGER GB			No	XJ